

PMPSP

SUMP DRAINER

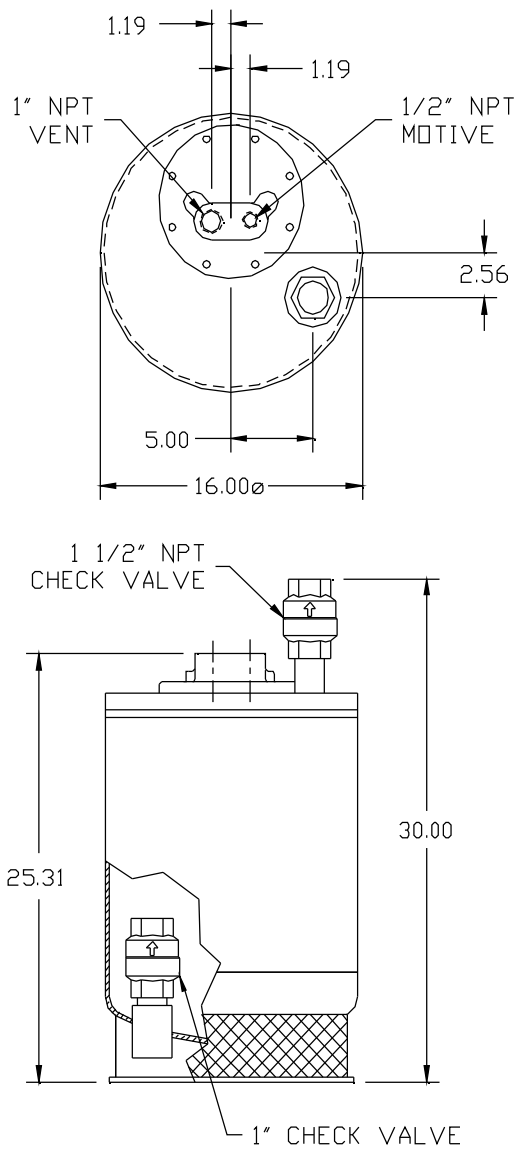
INSTALLATION INSTRUCTIONS

INSTRUCTION PART NO. 1501225

REVISION 0

INSTALLATION

1. The pump must be installed standing in the vertical position. It is important that the preferred minimum filling head of 12" be established from the top of pump body to the level of the water being drained.

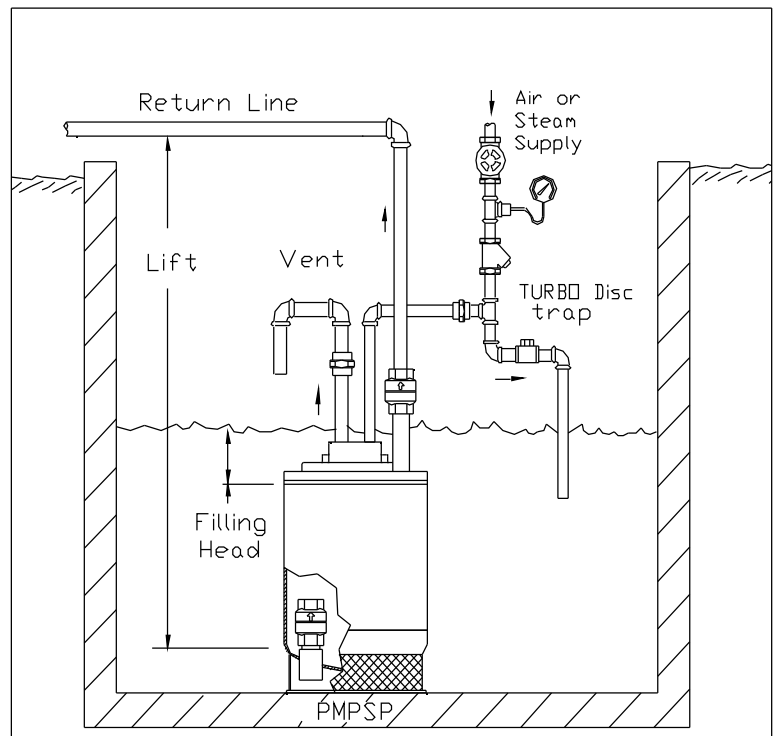


PMPSP SUMP DRAINER

2. Connect the return line to the pump's outlet check valve. Horizontal pipe runs should be kept as short as possible to minimize on return line pressure drop.

3. Connect the operating supply pressure to the motive inlet connection (1/2" FNPT) at the top of the pump head. Motive pressure line should always be equipped with an isolation valve, strainer and a steam trap, if steam supply, or a liquid drainer, if air/gas supply. The trap condensate discharge can be exhausted to the sump.

4. Install a pipe line from the vent connection (1" FNPT) at the top of the pump head and exhaust into sump.



SUBMERGED 'PMPSP' LIFTING FLUIDS TO A HIGHER LEVEL

(Total Lift in PSI is Lift distance in feet x 0.5 psi/ft, plus pressure drop in return line in PSI, plus downstream pressure drop in PSI)

Each Watson McDaniel Company Product is warranted against defects in material and workmanship for one year from date of shipment. This warranty extends to the first retail purchaser only. All defective material must be returned to the person from whom you purchased the Product, transportation prepaid, free of any liens or encumbrances, and if found to be defective will be repaired free of charge or replaced, at the warrantor's or seller's option. If the material is replaced, any replacement will be invoiced in the usual manner and after inspection of alleged defective material an adjustment will be made for depreciation caused by purchaser's use. In no event will Watson McDaniel Company be liable to do more than refund the original contract price. Incidental and consequential damages are excluded, whether under this warranty or otherwise. All implied warranties, including warranties of merchantability and fitness for a particular purpose, are disclaimed and excluded.