

INSTALLATION

Before installing the Watson McDaniel Inverted Bucket Steam Trap, blow down the piping that leads to the trap's inlet. Use full line pressure to remove all scale, chips, debris, etc. Be sure the trap differential pressure rating is adequate for the installation.

Arrange piping to provide gravity drainage to trap. Include upstream strainer or strainer in universal connector for trap. Install separate trap for each unit, coil, etc. Pipe to correct flow, check flow arrow on trap. The arrow on the trap and connector must always point in the direction of flow.

Outlet piping should not be smaller than inlet piping. If possible, the trap should be located within five feet of equipment being drained with the inlet below the liquid level of item being drained. Vertical installation provides freeze protection if there is no fluid to lift after trap.

CAUTION: First install universal connector then mount trap module & torque (2) bolts evenly to 35-40 ft-lbs. using a small amount of anti-seize. The word 'TOP' should be visible when viewing above the connector flange.

Do not insulate trap.

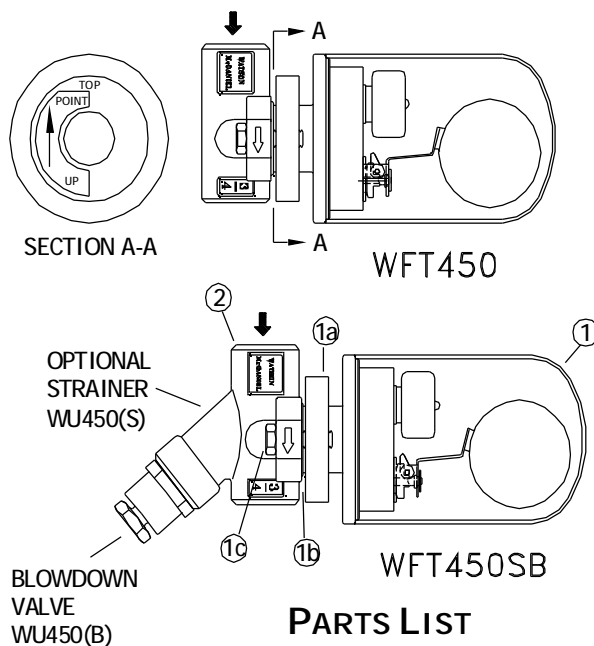
Before activating trap station, blow down strainer to purge all scale, dirt, etc. from system.

MODULE REPLACEMENT

Isolate unit from both supply and return line pressures. Wait until trap module can be comfortably touched by hand. Remove (2) bolts and discard old WFT450 trap module. Inspect seating area of universal connector & remove remnants of old gasket. Do not scratch sealing surface. Attach new trap module to universal swivel connector. Slowly open upstream and downstream isolation valves.

TROUBLESHOOTING

PROBLEM	CAUSE	ACTION
1. Trap does not discharge.	a) Damaged float. b) Operating pressure too high.	a) Replace trap. b) Install trap suitable for operating pressure.
2. Trap does not close.	a) Dirt lodged on valve disc or thermostat seat area. b) Worn out internals; damaged thermostat.	a) Flush trap with water; install strainer b) Replace trap.



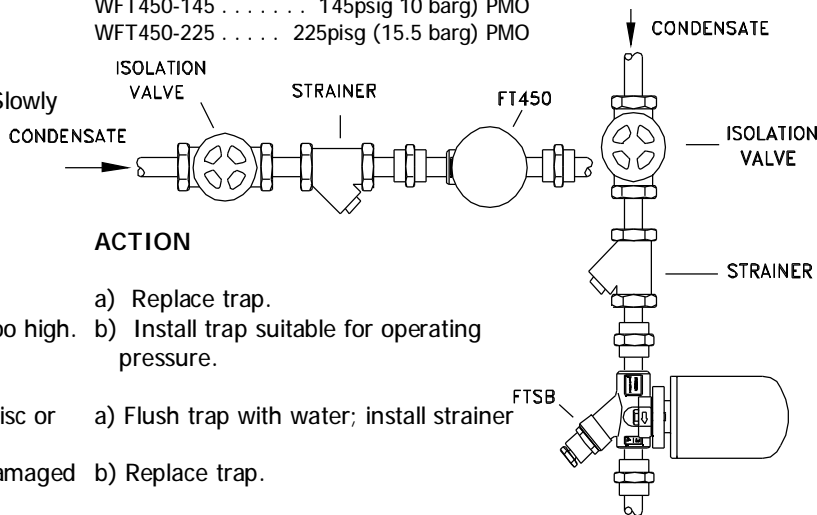
- PARTS LIST**
- 1) WFT450 Trap Module
 - 1a) Flange, Mounting
 - 1b) Gasket, Module
 - 1c) Bolts, Mounting (2)
 - 2) WU450, Universal Connector, Swivel

MAX. ALLOWABLE CONDITIONS:

PMO	225 PSIG	PMA	720 PSIG @ 100°F
TMO	397°F	TMA	800°F @ 400 PSIG

MAXIMUM OPERATING PRESSURES

WFT450-65	65psig (4.5 barg) PMO
WFT450-145	145psig (10 barg) PMO
WFT450-225	225psig (15.5 barg) PMO



Each Watson McDaniel Company Product is warranted against defects in material and workmanship for one year from date of shipment. This warranty extends to the first retail purchaser only. All defective material must be returned to the person from whom you purchased the Product, transportation prepaid, free of any liens or encumbrances, and if found to be defective will be repaired free of charge or replaced, at the warrantor's or seller's option. If the material is replaced, any replacement will be invoiced in the usual manner and after inspection of alleged defective material an adjustment will be made for depreciation caused by purchaser's use. In no event will Watson McDaniel Company be liable to do more than refund the original contract price. Incidental and consequential damages are excluded, whether under this warranty or otherwise. All implied warranties, including warranties of merchantability and fitness for a particular purpose, are disclaimed and excluded.