

# SERIES WLD60ISST

## FLOAT TYPE DRAINER

### INSTALLATION INSTRUCTIONS

INSTRUCTION PART NO. 2216601 REVISION 0

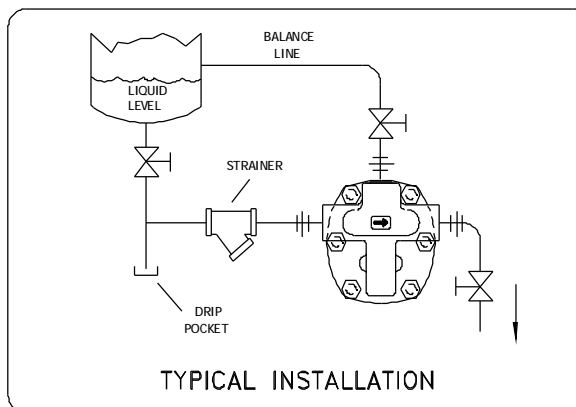
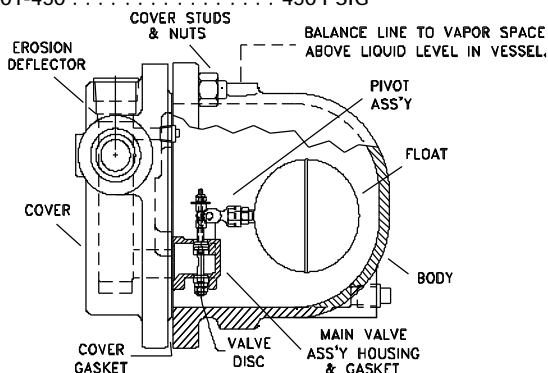
## INSTALLATION

1. Before installing the drainer, blow out piping thoroughly to remove loose scale and dirt. Use pipe dope or teflon tape sparingly on NPT connections. Avoid galling SST by not over-torquing. Observe the pressure limitations shown on the drainer label.
2. Install the drainer in a horizontal pipe line below the equipment being drained and in below the equipment being drained and in a location easily accessible for maintenance and inspection. Be certain that the flow arrow on the drainer cover points in the proper direction.
3. Install a drip pocket to keep dirt away from the drainer.
4. Discharge piping should be amply sized to avoid excessive back pressures.
5. To provide for easy maintenance and service, install a block valve on each side of the drainer and install a strainer ahead of the inlet connection.
6. All valves should be full ported to achieve the rated capacity of the drainer.
7. If the discharge piping is to be elevated, be certain that the available differential pressure is adequate to permit proper drainage. Remember, two feet of lift equals approximately one psi.
8. Float style Liquid Drainers require a balance line as illustrated. On pressure vessel applications, the balance line connection should be above the liquid level. The balance line connection should be made downstream of separators.

## MAX OPERATING PRESSURE

PMA	*990 PSIG @ 100°F	PMO	450 PSIG
TMA	*750°F @ 670 PSIG	TMO	750°F
*3/4" – 2" Only			

WLD601-65	65 PSIG
WLD601-145	145 PSIG
WLD601-200	200 PSIG
WLD601-300	300 PSIG
WLD601-450	450 PSIG



## ORDERING SPARE PARTS

Specify the description of the part. Indicate the Model Number, Size and Operating Pressure, which are shown on the name plate.

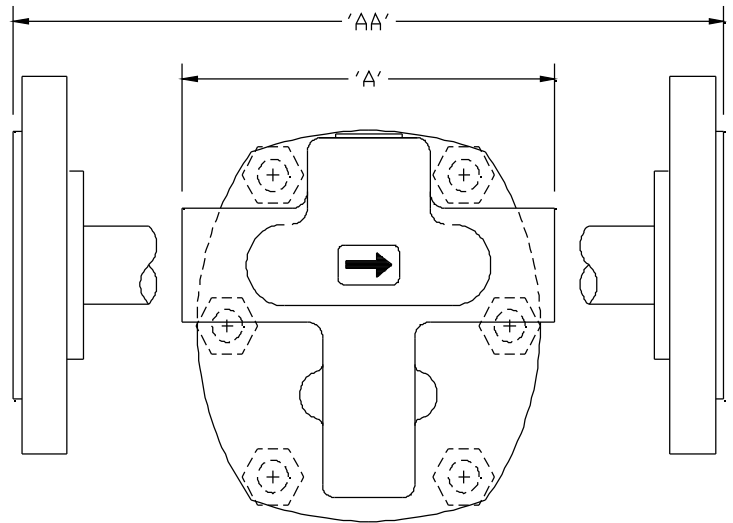
Typical Specification: Cover & Gasket for 2" WLD 601-200, 200 psi Liquid Drainer.

## TROUBLESHOOTING

PROBLEM	CAUSE	ACTION
1) Drainer does not discharge.	a) Damaged float. b) Operating pressure too high.	a) Replace float. b) Install drainer suitable for operating pressure
2) Drainer does not close.	a) Dirt lodged on seat. b) Worn out internal.	a) Clean drainer; install strainer. b) Replace internals; be certain to match the model number and pressure

Each Watson McDaniel Company Product is warranted against defects in material and workmanship for one year from date of shipment. This warranty extends to the first retail purchaser only. All defective material must be returned to the person from whom you purchased the Product, transportation prepaid, free of any liens or encumbrances, and if found to be defective will be repaired free of charge or replaced, at the warrantor's or seller's option. If the material is replaced, any replacement will be invoiced in the usual manner and after inspection of alleged defective material an adjustment will be made for depreciation caused by purchaser's use. In no event will Watson McDaniel Company be liable to do more than refund the original contract price. Incidental and consequential damages are excluded, whether under this warranty or otherwise. All implied warranties, including warranties of merchantability and fitness for a particular purpose, are disclaimed and excluded.

Drainer Size	A	AA
3/4" WLD601	6.10	10.10
1" WLD601	6.50	10.40
1 1/2" WLD601	9.80	14.00
2" WLD601	11.80	16.00



1	BODY AISI 316 SST
2	COVER AISI 316 SST
3	COVER STUDS
4	COVER NUTS
5	COVER GASKET
6	MAIN VALVE ASS'Y
7	GASKET, VALVE ASS'Y
8	EROSION DEFLECTOR
9	PIVOT ASSEMBLY
10	FLOAT

