

SERIES WD700S/HS/SB/HSB
THERMODYNAMIC STEAM TRAP
INSTALLATION INSTRUCTIONS

INSTRUCTION PART NO. 2285502 (C.R.-3319) REVISION 3

INSTALLATION

1. Before installing the trap, blow out piping thoroughly to remove loose scale and dirt. Observe the pressure limitations shown on the trap label.
2. Install the trap below the equipment being drained in a location easily accessible for maintenance and inspection. Be certain to install with flow in the direction indicated on this instruction.
3. Install a drip leg to keep dirt away from the trap. Discharge piping should be amply sized to avoid excessive back pressures.
4. To provide for easy maintenance and service, install a block valve on each side of the trap.
5. If discharge piping is to be elevated, be certain that the available differential pressure is adequate to permit proper drainage. Remember, two feet of lift equals approximately one psi.

MAINTENANCE INSTRUCTIONS

Isolate trap from both supply and return line pressures.

Wait until trap can be comfortably touched by hand before any servicing is performed.

The trap should be disassembled periodically for cleaning of the strainer screen and inspection and cleaning of disc and seat.

To clean the disc and seat remove cover and wipe disc and seat surfaces with cleaning solvent. CAUTION: Never use any abrasives on disc or seating surface.

If parts are worn, replace trap capsule.

To clean strainer:

If WD700S, remove strainer cap and strainer and rinse strainer of any accumulated debris.

If WD700B, turn blow down valve a quarter-turn counter-clockwise to blow out accumulated debris, making certain that blow down is directed away from personnel ((to be performed with steam turned "on" to trap.) DO NOT FORCE BLOW DOWN VALVE OPEN PAST A QUARTER TURN. When complete, re-tighten the blow down valve. DO NOT OVERTIGHTEN. Reassemble trap components as necessary, ensuring appropriate components are tightened properly to the torque values noted below.

COVER/TRAP CAPSULE

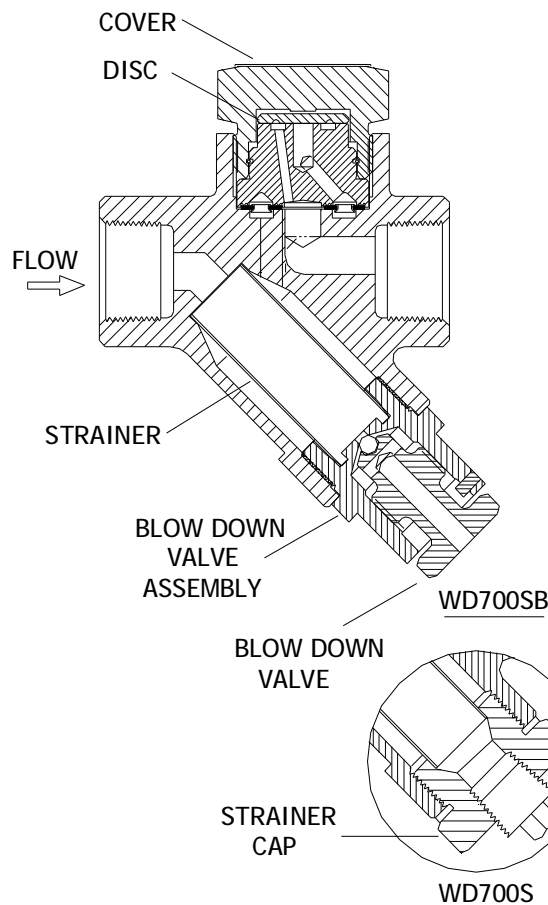
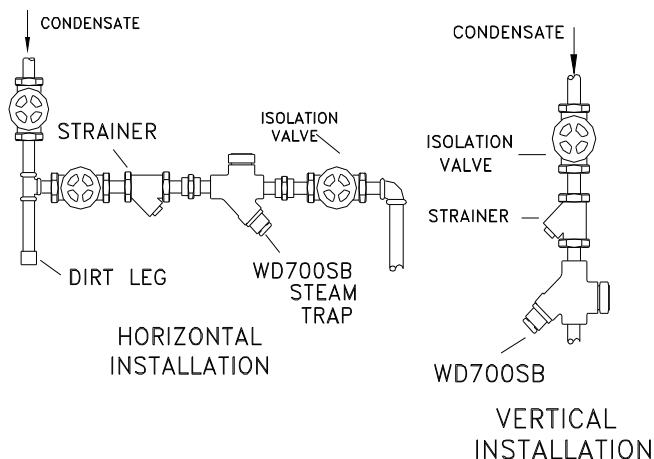
TORQUE IN FOOT LBS.

1/2" — 90	PMO 600 PSIG
3/4" — 90	TMO 800°F
1" — 90	PMA 600 PSIG up to 800°F
	TMA 800°F @ 600 PSIG

STRAINER CAP/BLOW DOWN ASSEMBLY TORQUE

TORQUE IN FOOT LBS.

1/2" — 70
3/4" — 70
1" — 70



Each Watson McDaniel Company Product is warranted against defects in material and workmanship for one year from date of shipment. This warranty extends to the first retail purchaser only. All defective material must be returned to the person from whom you purchased the Product, transportation prepaid, free of any liens or encumbrances, and if found to be defective will be repaired free of charge or replaced, at the warrantor's or seller's option. If the material is replaced, any replacement will be invoiced in the usual manner and after inspection of alleged defective material an adjustment will be made for depreciation caused by purchaser's use. In no event will Watson McDaniel Company be liable to do more than refund the original contract price. Incidental and consequential damages are excluded, whether under this warranty or otherwise. All implied warranties, including warranties of merchantability and fitness for a particular purpose, are disclaimed and excluded.